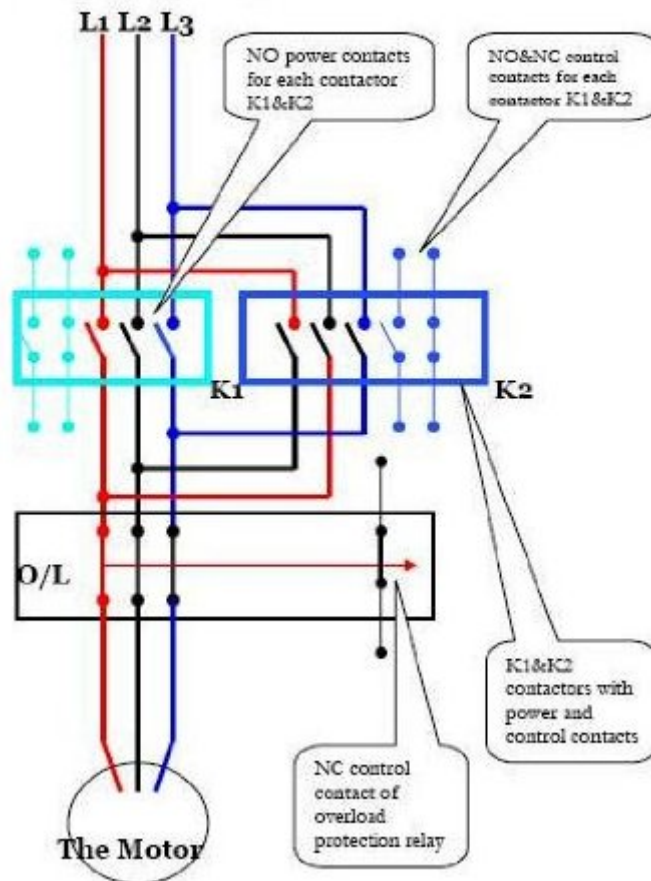


The book was found

# ELECTRIC MOTORS-CONTROL DIAGRAM (SELF-STARTER UNIVERSITY)

The following image will help you understand the connection diagram:



## Synopsis

Being able to follow and create control diagrams means we can observe how things are working and troubleshoot when required. Your ability to repair and maintain installations using a control diagram is proof of your expertise and skill as an electrician. It will secure your position as electrician in any organization! A control diagram uses symbols to indicate the sequence of specific tasks in a logical way. Tasks such as connecting or disconnecting the power for certain devices or interlocking different electrical devices are explained by control diagrams. For electricians, control diagrams can be one of the most challenging aspects of the job since they require us to be able to make careful observations and think things through in a logical way. They require us to consciously process our understanding. This book will be punctual referring exactly to the subject readable on title. The scope of the book is to teaching you to draw and understand how the control wiring diagram is working for three phase motor in two specific diagrams for :-Manual Motor Starter -Magnetic Motor Starter A lot of diagrams and pictures will help you easy understand how things are in regards with electrical motors. The book is designed to be a support for the electricians working as maintenance electricians and construction electricians. It will be a real support for those who like this field and would like to become electrician.

## Book Information

File Size: 1510 KB

Print Length: 68 pages

Publisher: CORNEL BARBU; 1 edition (April 28, 2012)

Publication Date: April 28, 2012

Sold by:Â Digital Services LLC

Language: English

ASIN: B0082COVJY

Text-to-Speech: Enabled

X-Ray: Not Enabled

Word Wise: Not Enabled

Lending: Enabled

Screen Reader: Supported

Enhanced Typesetting: Enabled

Best Sellers Rank: #364,176 Paid in Kindle Store (See Top 100 Paid in Kindle Store) #80

inÂ Books > Engineering & Transportation > Engineering > Electrical & Electronics > Electric

Machinery & Motors #158 in Kindle Store > Kindle eBooks > Engineering & Transportation > Engineering > Electrical & Electronics > Electricity Principles #188 in Kindle Store > Kindle eBooks > Engineering & Transportation > Engineering > Electrical & Electronics > Electronics

## Customer Reviews

it is too basic, to be honest I can just see 2 basic diagrams. It is not useful.

.This is a very good book , it's really handy . It explains the electrical circuits in more simpler terms than other books

fast delivery

This book, have drawing about how to connect motors,in a delta star method, or the old way. But it is good to have this book, took look up information,

well, i like this document because is very interesting for me at the university. has many PDF like this and i'd read all of them

Basic lecture and example, ok if you are a beginner, simple lecture, good illustrations, nice sequence and explication, for technicians

[Download to continue reading...](#)

ELECTRIC MOTORS-CONTROL DIAGRAM (SELF-STARTER UNIVERSITY) Motor Starting and Control Primer: An introduction to the starting techniques and control of electric motors Self Help: How To Live In The Present Moment (Self help, Self help books, Self help books for women, Anxiety self help, Self help relationships, Present Moment, Be Happy Book 1) Electric Motors and Control Systems (Engineering Technologies & the Trades) Package: Activities Manual for Electric Motors and Control Systems with Constructor Access Card Electric Motors and Control Systems HARDY BOYS STARTER SET, TH The Hardy Boys Starter Set NAVY SEAL: Self Discipline: How to Become the Toughest Warrior: Self Confidence, Self Awareness, Self Control, Mental Toughness (Navy Seals Mental Toughness) Self Love: F\*cking Love Your Self Raise Your Self Raise Your Self-Confidence (Self Compassion,Love Yourself,Affirmations Book 3) Confidence: How to Build Powerful Self Confidence, Boost Your Self Esteem and Unleash Your Hidden Alpha (Confidence, Self Confidence, Self Esteem, Charisma, ... Skills, Motivation, Self Belief Book 8) Electric Smoker

Cookbook Smoke Meat Like a PRO: TOP Electric Smoker Recipes and Techniques for Easy and Delicious BBQ (Electric Smoker Cookbook, ... Smoker Recipes, Masterbuilt Smoker Cookbook)  
NLP: Neuro Linguistic Programming: Re-program your control over emotions and behavior, Mind Control - 3rd Edition (Hypnosis, Meditation, Zen, Self-Hypnosis, Mind Control, CBT) Ugly's Electric Motors & Controls, 2017 Edition Electric Motors and Drives: Fundamentals, Types and Applications, 4th Edition Audel Electric Motors (Audel Technical Trades Series) Electric Motors and Drives: Fundamentals, Types and Applications Ugly's Electric Motors And Controls, 2014 Edition Ugly's Electric Motors And Controls A Lesson on Self-Control: A Lesson on Self-Control (Kingdom Kicks Series) (Volume 3) Self-Discipline: Self-Discipline of a Spartan Trough: Confidence, Self-Control and Motivation (Motivation, Spartan, Develop Discipline, Willpower)

[Contact Us](#)

[DMCA](#)

[Privacy](#)

[FAQ & Help](#)